

## **PARTS CATALOG**

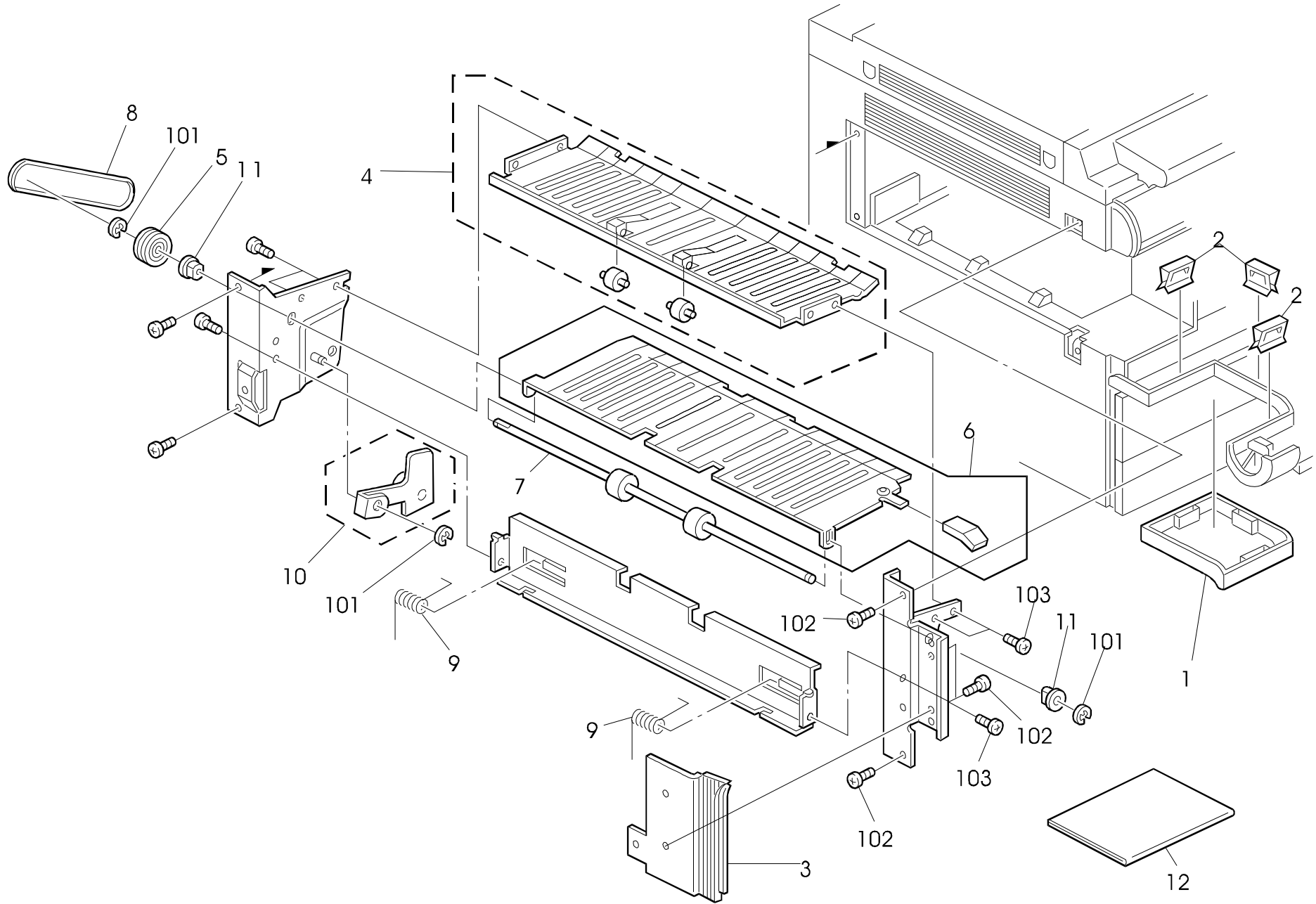
### **INTRODUCTION**

This chapter instructs you the numbers and names of parts on this machine.

### **INDEX to PARTS CATALOG**

1.SORTER ADAPTER (A568).....	2
<b>PARTS INDEX</b> .....	<b>5</b>

# 1. SORTER ADAPTER (A568)



# 1. SORTER ADAPTER (A568)

Index No.	Part No.	Description	Q'ty Per Assembly
1	A568 1101	Front Cover	1
2	A568 1088	Cover Holder	1
3	A568 1151	Left Cover	1
4	A568 1066	Upper Guide Plate	1
5	AB03 2040	Pulley - 16Z	1
6	A568 1064	Lower Guide Plate	1
7	AA14 8429	Exit Drive Roller	1
8	AA04 2009	Belt - 2.5	1
9	AA06 6245	Spring - 390GF	2
10	A568 1081	Vibrating Plate	1
11	AA08 2058	Bushing - 6x10x9mm	2
12	A568 8610	Installation Procedure	1

Index No.	Part No.	Description	Q'ty Per Assembly
101	0720 0040B	Retaining Ring - M4	
102	0434 0060B	Philips Tapping Screw - M4X6	
103	0414 0082B	Binding Self Tapping Screw - M4X8	

# **PARTS INDEX**

Part No.	Description	Page and Index No.
A568 1064	Lower Guide Plate	3- 6
A568 1066	Upper Guide Plate	3- 4
A568 1081	Vibrating Plate	3- 10
A568 1088	Cover Holder	3- 2
A568 1101	Front Cover	3- 1
A568 1151	Left Cover	3- 3
A568 8610	Installation Procedure	3- 12

Part No.	Description	Page and Index No
AA04 2009	Belt - 2.5	3- 8
AA06 6245	Spring - 390GF	3- 9
AA08 2058	Bushing - 6x10x9mm	3- 11
AA14 8429	Exit Drive Roller	3- 7
AB03 2040	Pulley - 16Z	3- 5

Part No.	Description	Page and Index No.
0414 0082B	Binding Self Tapping Screw - M4X8	3-103
0434 0060B	Philips Tapping Screw - M4X6	3-102
0720 0040B	Retaining Ring - M4	3-101

Part No.	Description	Page and Index No